

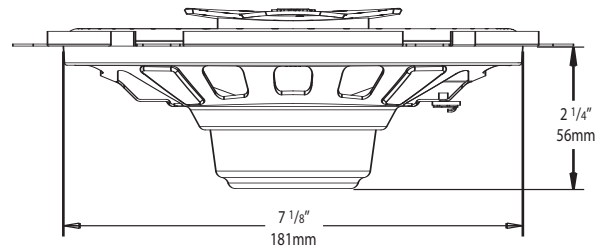
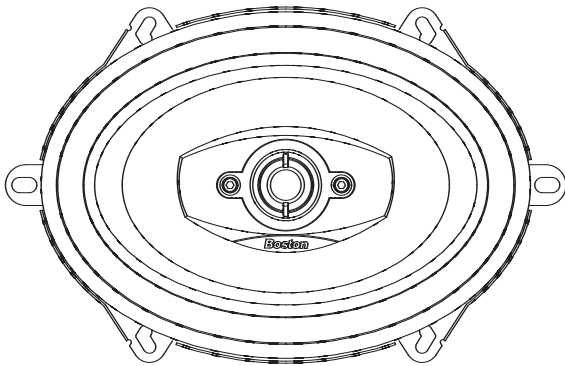


# SX85 5 x 7-inch Coaxial Speakers

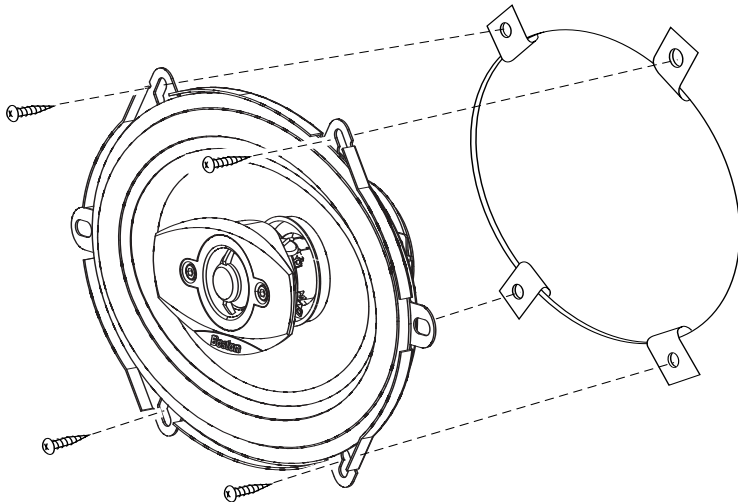
<b>Specifications:</b>	<b>SX85</b>
Nominal Size	5 x 7"
RMS Power Handling	50w
Peak Power Handling	160w
Frequency Response ( $\pm 3\text{dB}$ )	50-20kHz
Impedance	4 $\Omega$
Sensitivity (1w/1M)	90dB

<b>SX85 Speakers Include:</b>		
8	x	Hex Head Screw
8	x	Spring Clip
1	x	Hex Key
2	x	Terminated Speaker Wire

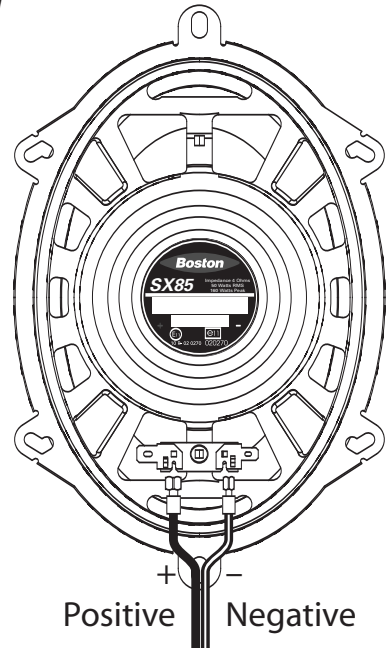
## Dimensions



## Installation



## Wiring



Boston Acoustics, Inc. 300 Jubilee Drive Peabody, Massachusetts 01960 U.S.A. [bostonacoustics.com](http://bostonacoustics.com)  
 © 2005 Boston Acoustics, Inc. All rights reserved. Boston, Boston Acoustics, and the Boston Acoustics logo are registered trademarks of Boston Acoustics, Inc.

